

HSW V4

IP54
LED



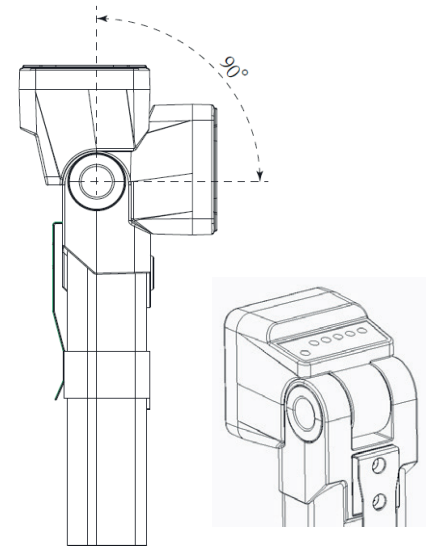
The headlamp is equipped with a high-performance LED and has a lightweight, very compact and high-performance lithium ion battery. The HSW V4 is ergonomically operated by a switch that turns the light on and off and operates the dimmer mode. The duration of the illumination is extended when the energy-saving mode is activated. The direction of the light beam can be adjusted to different angles to meet the user's needs.

HSW V4**RECHARGEABLE BATTERY LUMINAIRE**

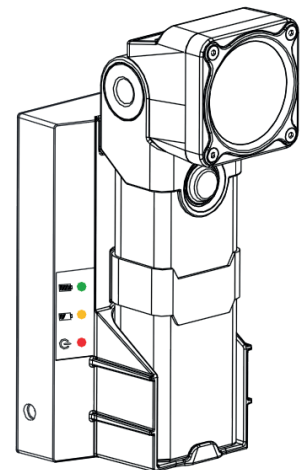
Degree of protection	IP54
Class	I
Enclosure material	Thermoplast ABS
Enclosure colour/surface	Black
Light source	3 W LED
Ambient temperature	+10° C to +30° C
Connected load (AC)	230V ± 10 %, 50/60 Hz
Power supply unit	12 V/500 mAh
Rechargeable battery	3,7 V/4400 mAh (Li-Ion)
Weight	369 g (without charging cradle)

SPECIAL FEATURE

- LED with high power 3 W
- Running times for 3 power levels:
 - Operating level 1: 4 h (full brightness)
 - Operating level 2: 8 h (Dimming mode)
 - Operating level 3: 12 h (Flashing)
- Charge indicator
- Swivel lamp head
- Flashing function
- Emergency light function
- Battery level indicator
- Metal mounting clip

ADJUSTING THE ANGLE AND THE DIRECTION OF THE LIGHT BEAM

To adjust the light beam to a desired angle, the lamp head can be swivelled in continuous angles from vertical 0° to 30° in front and 90° to the rear.



Dimensions (L x B x H): 207.8 x 57.7 x 56 mm
(without charging cradle)