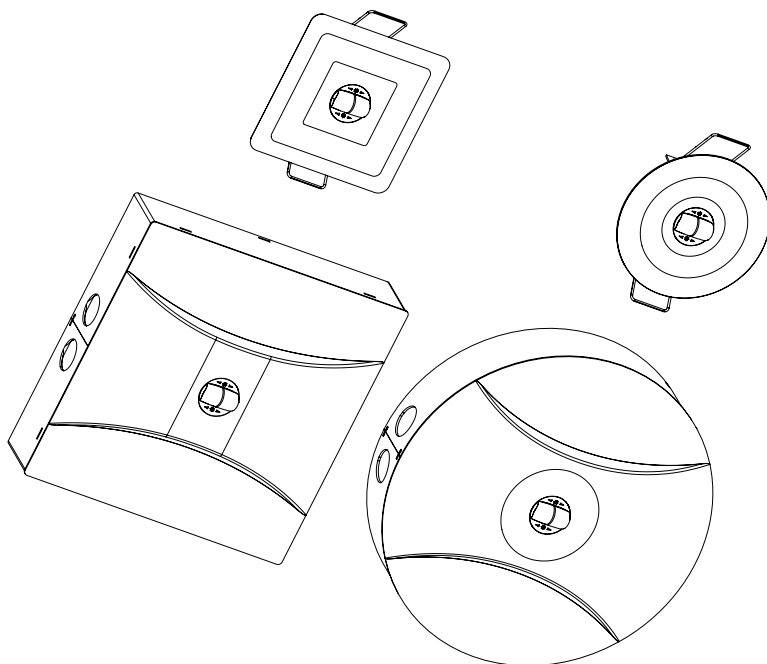


LED-Spot

LS5/LA5/LS6/LA6

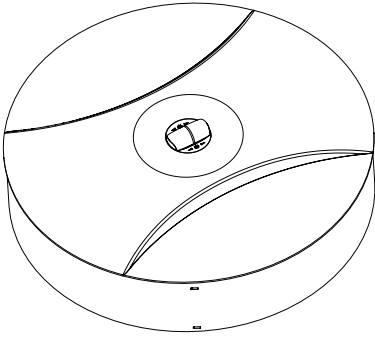


Montageanleitung
Assembly instructions

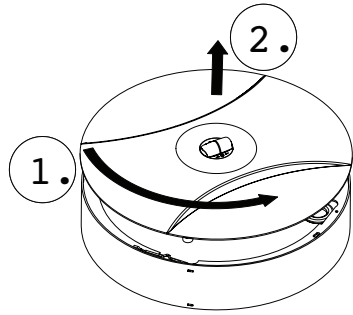
Gessler 

Aufbaumontage / surface mounting

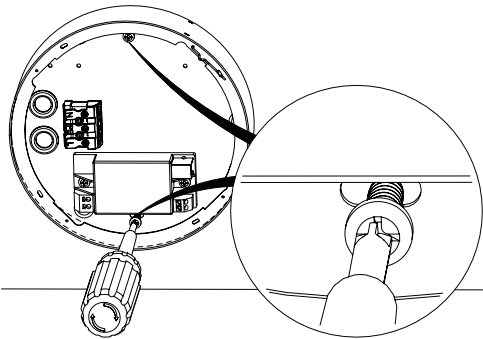
1.



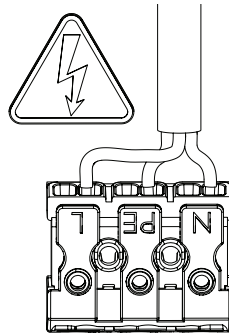
2.



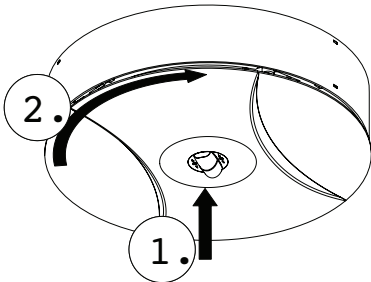
3.



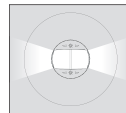
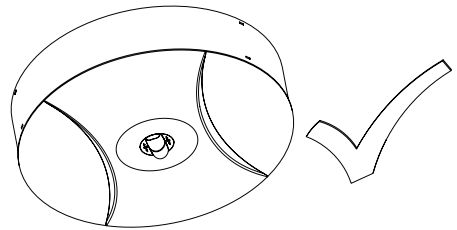
4.



5.



6.



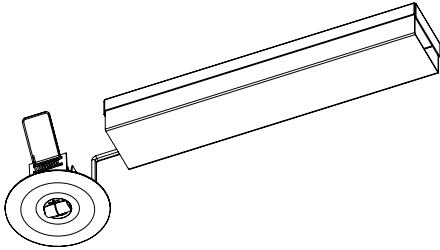
Asymmetrische Linse (LAX)
asymmetric lens (LAX)



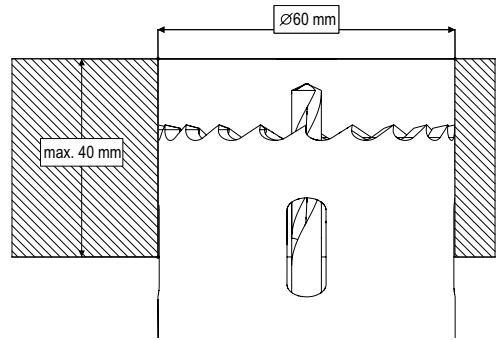
Symmetrische Linse (LSX)
symmetric lens (LSX)

Einbaumontage / recessed mounting

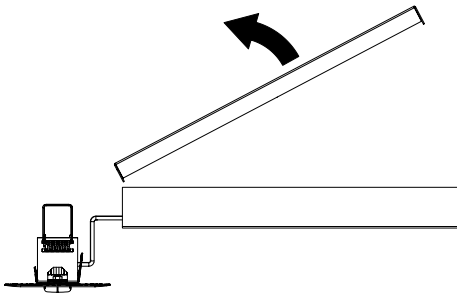
1.



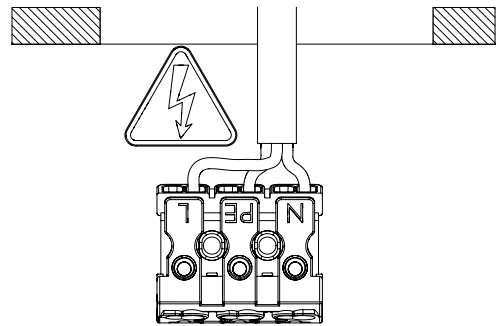
2.



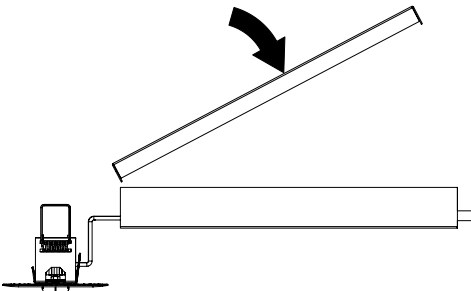
3.



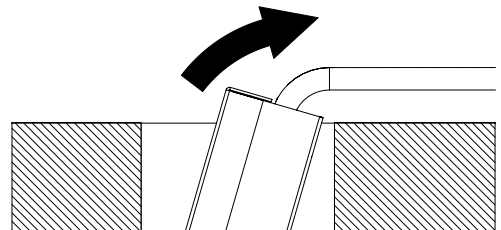
4.



5.

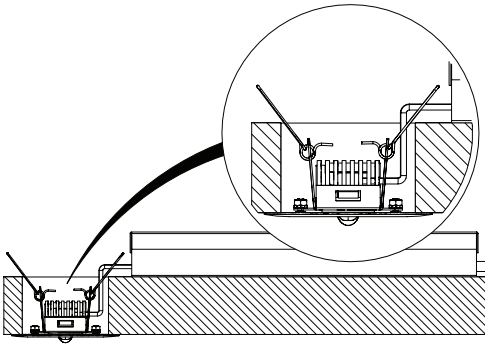


6.

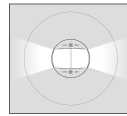
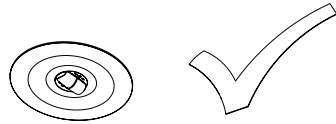


Einbaumontage / recessed mounting

7.



8.



Asymmetrische Linse (LAX)
asymmetric lens (LAX)



Symmetrische Linse (LSX)
symmetric lens (LSX)

Technische Daten / specifications

LED-Spot	Aufbau / ceiling	Einbau / recessed
GEHÄUSEMATERIAL / housing material	Stahlblech / sheet steel	
LEUCHTMITTEL / illuminant	LED	
LEISTUNG (AC/DC) / load (AC/DC)	5,9VA / 2,8W	
SPANNUNG / voltage	230V AC/DC	
LICHT (Netz/Not) luminous (mains/emergency)	100%	
UMGEBUNGSTEMP. / ambient temperature	0°C - 50°C	
SCHUTZART / protection category	IP 40	IP 20
SCHUTZKLASSE / protection class	I	
ARTIKELNUMMER / article number	LS5/LA5/LS6/LA6	