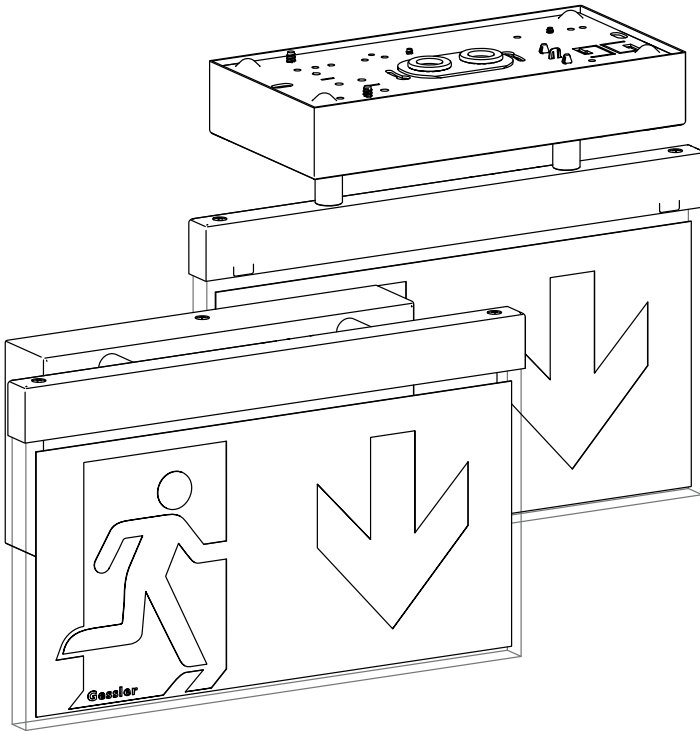


Display

9000, 9100

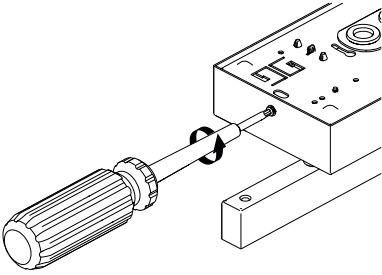


MONTAGEANLEITUNG

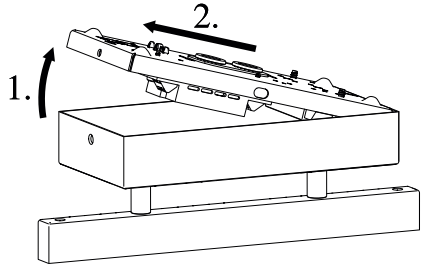
Assembly instructions

Deckenmontage / ceiling mounting

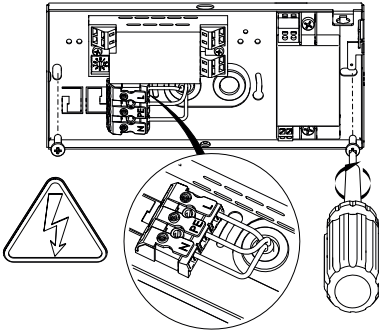
1.



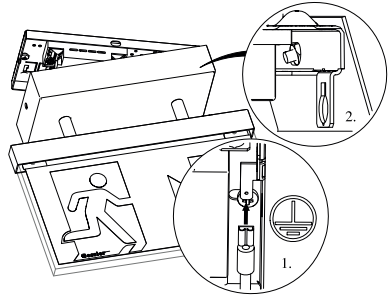
2.



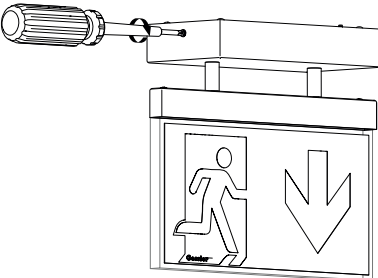
3.



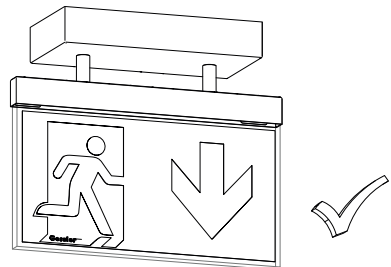
4.



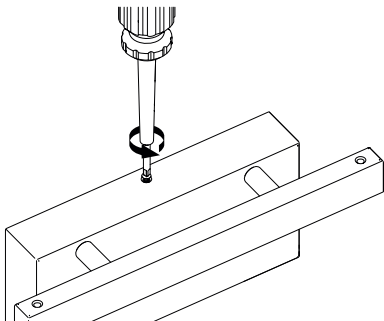
5.



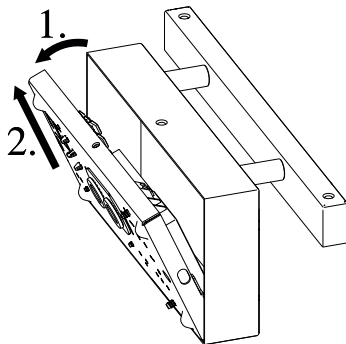
6.



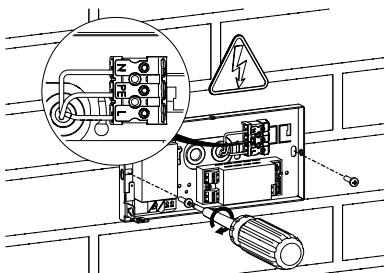
1.



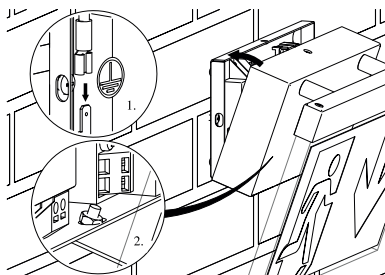
2.



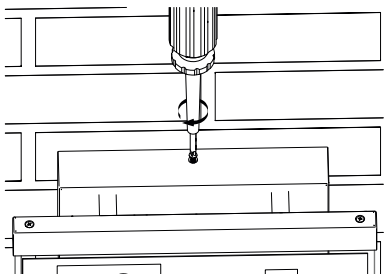
3.



4.



5.

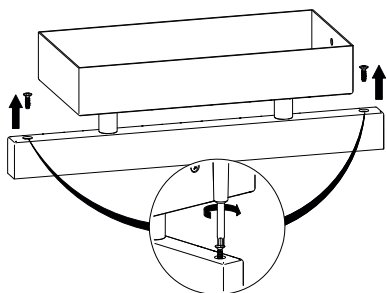


6.

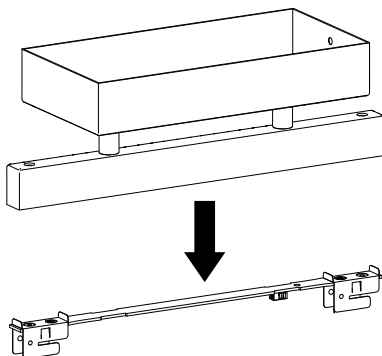


Displaymontage / exit panel mounting

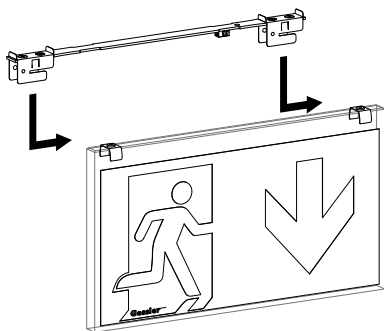
1.



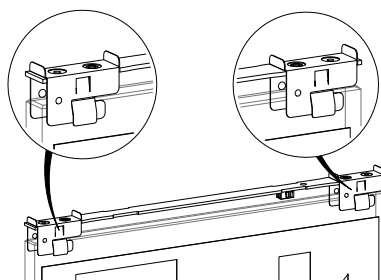
2.



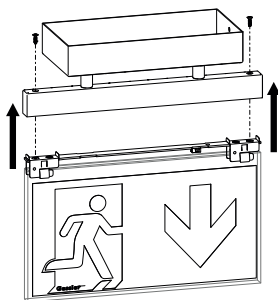
3.



4.



5.



6.

